



WBU Type LOAD CELL

INSTRUCTION MANUAL

NO. 29

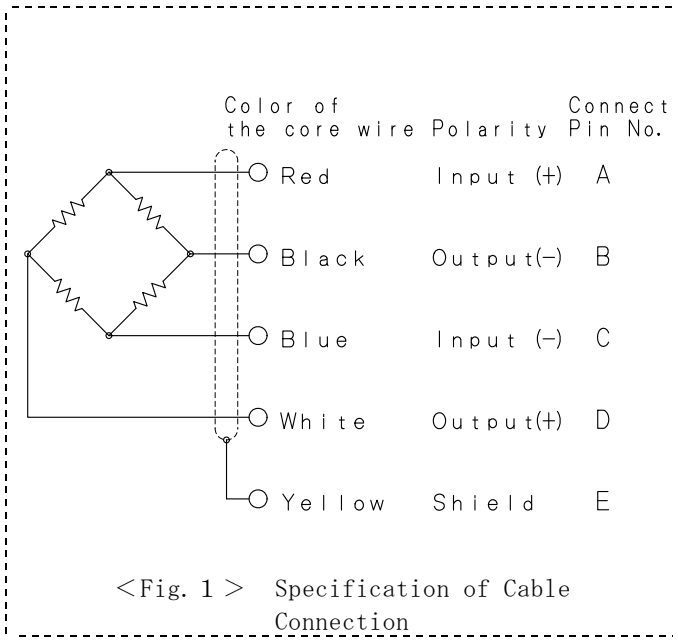
●Cable connection methods.

Connection methods are shown in the <Fig1>
If you have misconnecting, there might be troubles with zero balance and errors on output voltage under load condition.

●Maximum Admissible Excitation Voltage

Maximum Admissible Excitation Voltage (AC/DC)	2 0 V
Nominal Range of Excitation Voltage (AC/DC)	1 2 V

<Table 1 >

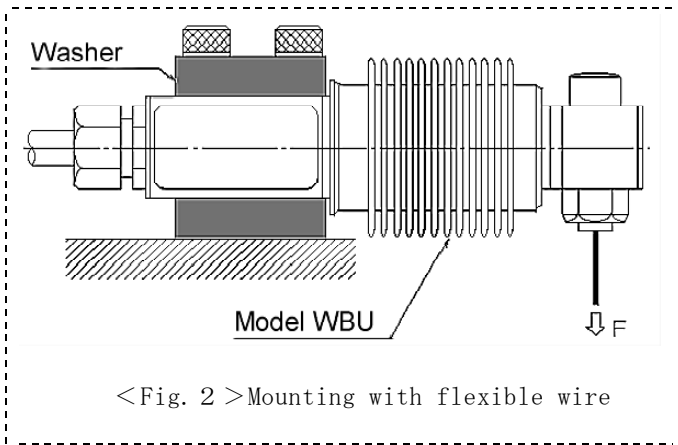


●Installation and Handling Cautions

Model WBU shall be mounted on position with reference to Figure.2 ~4. (※1)

Please pay attention to the next point to let you show performance of Model WBU.

- ①In the use of Model WBU, its direction of load detection is always to be arranged to correspond to the direction of applying load.
- ②In the use of Model WBU, a special care should be exercised to avoid any side loads or bending moments being applied to it.
- ③There might be a fear to bring about a corrosion in Model WBU depending on materials used at the side of mounting as this Model is built from aluminium alloy. Be careful to avoid such undesirable situation from taking place.
- ④Mounting of jigs on Model WBU has to be made prior to fixing this Model in position for measurement.



- ※1. Feel free to contact our regional sales office whenever detailed explanations on any used of Model WBU including jig mounting procedures may be required.
- ※2. Contact our regional sales office if you intend to use Model WBU for the purpose of compression measurement.

● Use Environment and Caution

1. This unit is not waterproof.
Please avoid from water and moisture.
2. Please do not stretch or bend the cable. It might be broken. If the cable is not stable, please fix the cable.
3. Compensated temperature range is

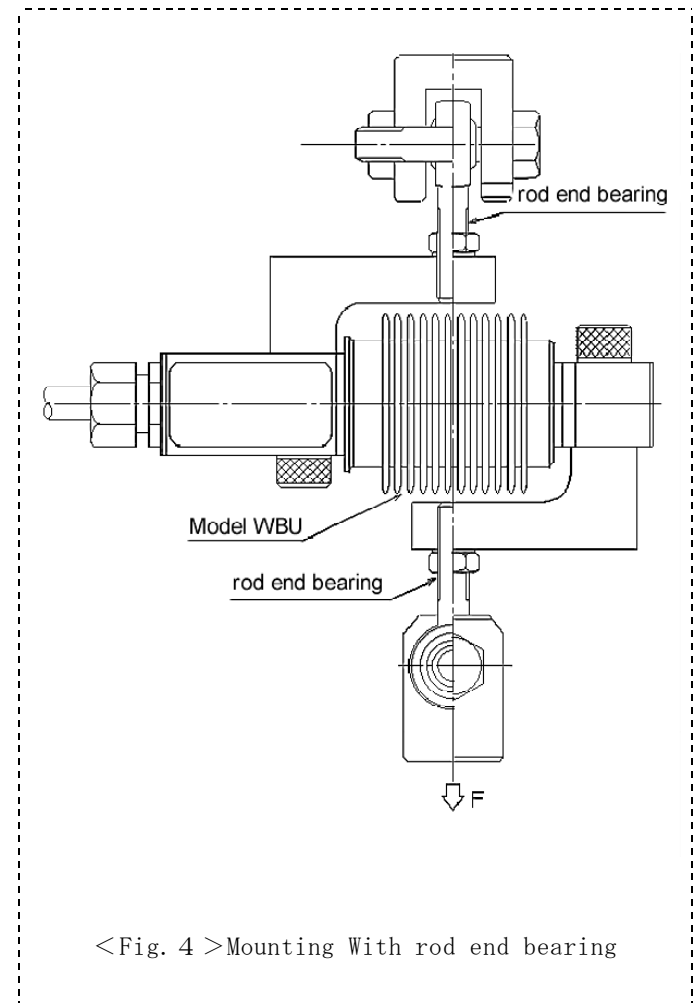
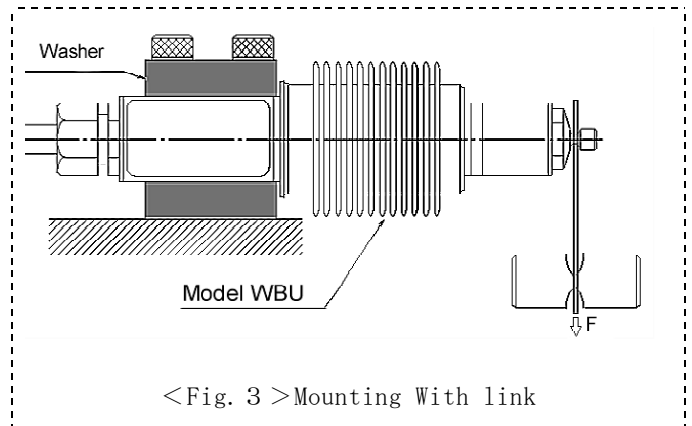
- 1 0 ~ 4 5 °C

● Maintenance

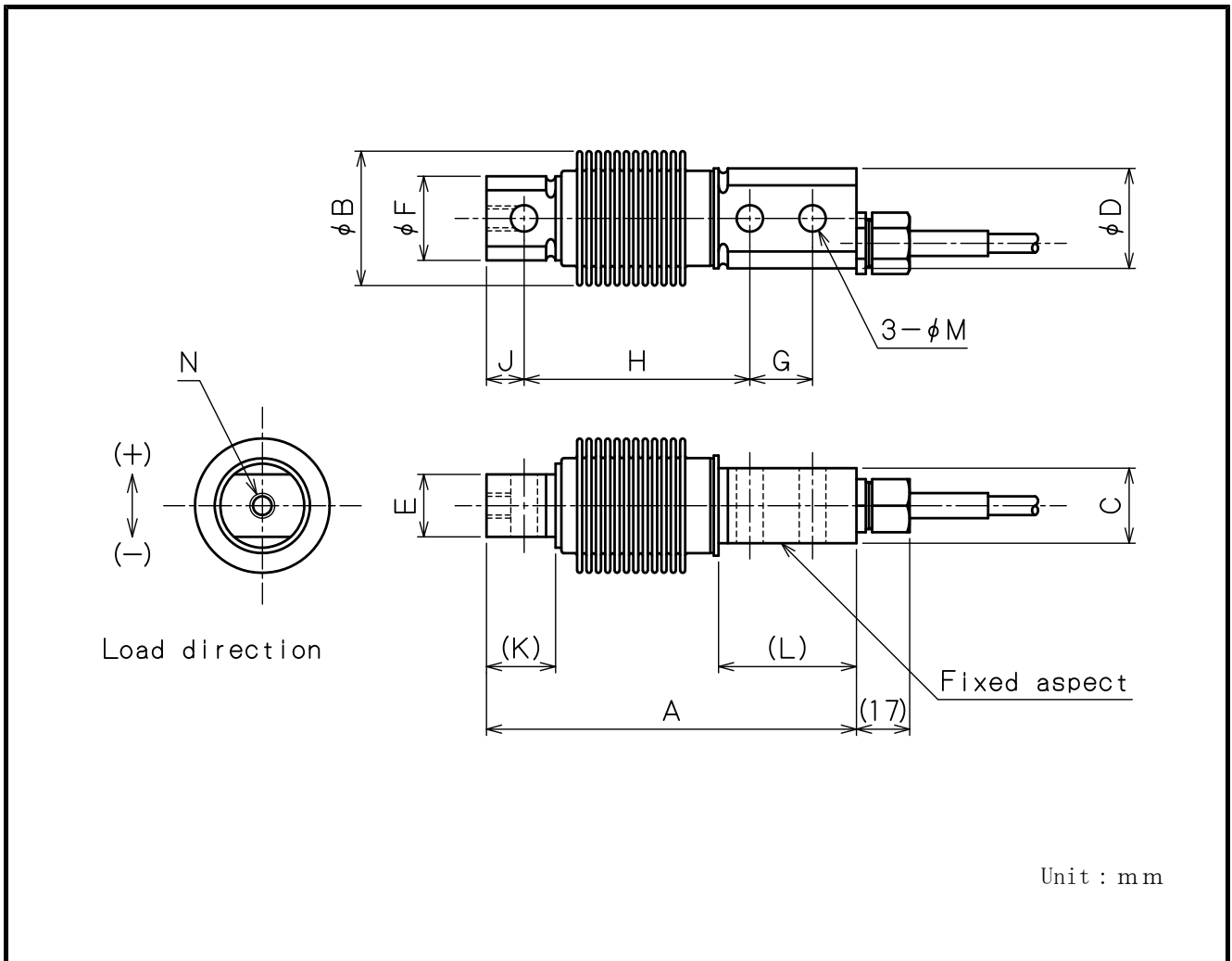
We suggest you to have a yearly maintenance and calibration (both with the extra charge) to maintain the quality of this product.

● Warranty

This product has a warranty of one year after purchase. When there is any troubles or machine break down, we will repair the machine without any additional charges. But for your misuse or disassembly, then we are not responsible for the guarantee. Please understand the situation that sometimes the machine is beyond repair due to the unlimited overload and voltage.



●Dimensional Drawing



●Dimensional Chart (Unit : mm)

Model	Rated Capacity	A	B	C	D	E	F	G	H	J	K	L	M	N
WBU - 10N	10 N	118	43	24	32	20	27	20	72	12	22	44	8.5	M 8
WBU - 20N	10 N	118	43	24	32	20	27	20	72	12	22	44	8.5	M 8
WBU - 50N	50 N	118	43	24	32	20	27	20	72	12	22	44	8.5	M 8
WBU - 100N	100 N	118	43	24	32	20	27	20	72	12	22	44	8.5	M 8
WBU - 200N	200 N	118	43	24	32	20	27	20	72	12	22	44	8.5	M 8
WBU - 500N	500 N	118	43	24	32	20	27	20	72	12	22	44	8.8	M 8
WBU - 1KN	1 kN	118	43	24	32	20	27	20	72	12	22	44	8.5	M 8
WBU - 2KN	2 kN	155	53	28	42.5	25	36	30	90	17.5	32.5	62.5	13	M10

Specifications

TYPE	WBU
Rated Capacity	1 0 N ~ 2 k N
Safe Overload R	1 5 0 %
Safe Over Rating by Stopper	2 0 0 %
Rated Output	2 . 0 mV/V ± 0 . 2 %
Linearity	0 . 0 1 5 %R . O .
Hysteresis	0 . 0 1 5 %R . O .
Repeatability	0 . 0 1 %R . O .
Admissible Excitation Voltage	2 0 V, Nominal Range 1 2 V
Input Resistance	3 5 0 Ω
Output Resistance	3 5 0 Ω
Compensated Temperature Range	- 1 0 ~ + 6 0 °C
Safe Temperature Range	- 3 0 ~ + 8 0 °C
Temperature Effect on Zero Balance	0 . 0 0 2 %R . O . /°C
Temperature Effect on Output	0 . 0 0 1 5 %/°C
Cable, Dia. & Length	φ 6 mm, Four Conductor Shielded Cable 5 m
Remarks	

SHOWA MEASURING INSTRUMENTS CO., LTD.

Head Office 1-17-16, Nishi Hokima, Adachi-ku, Tokyo, 121-0812 JAPAN