



# SHOWA MEASURING INSTRUMENTS CO., LTD.

17-16, NISHI-HOKIMA 1-CHOME, ADACHI-KU, TOKYO, JAPAN

TEL: (03) 850 · 5431

FAX: (03) 850 · 5436

## INSTRUCTIONS FOR USE OF MODELS MR & MRS SERIES LOAD CELLS

### CABLE CONNECTIONS

Connections should be made in accordance with Fig. 1. Incorrect connections may cause a difficulty in getting the balance on the bridge or may produce an irregularity on the output voltage when a load is applied to the system.

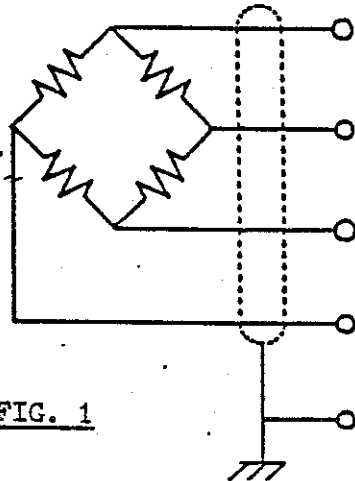


FIG. 1

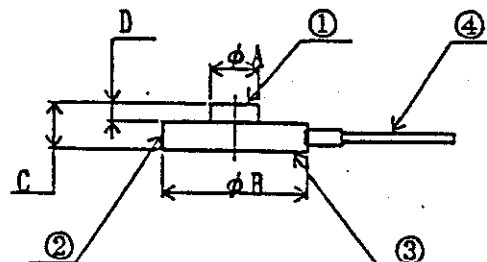
Color	Polarities	Connector Pin
Red	Input (+)	A
Black or Green	Output(-)	B
Blue	Input (-)	C
White	Output(+)	D
	Shield	E

Connector : PRC03-12A10-7M9

REMARKS: Model MR : Black in Output(-)  
Model MRS : Green in Output(-)

### APPEARANCE & DIMENSIONS

MODELS	$\phi A$	$\phi B$	C	D
MR	10	25	5.5	1.0
MRS	8	15	5.0	0.5



- (1) Pressure Receiving Surface (Top).
- (2) Elastic Body.
- (3) Pressure Receiving Surface (Bottom).
- (4) Cable.

### MOUNTING METHODS

#### 1) Mounting with adhesive.

- a. Surface treatment of the mounting surface: Polish the surface with Emery paper (#360). Clean the surface with a solvent thereafter.
- b. Applying adhesive: Use a rubber serie adhesive sold in the market. After evaporation of the solvent, apply the adhesive thinly and uniformly to both the bottom surface of the load cell and the intended surface of the mounting base.



# SHOWA MEASURING INSTRUMENTS CO., LTD.

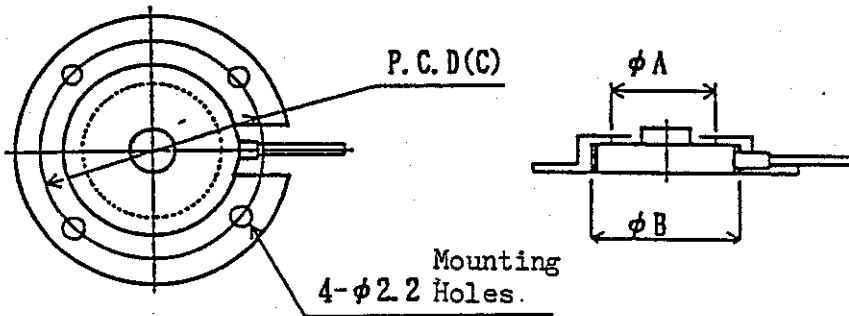
17-16, NISHI-HOKIMA 1-CHOME, ADACHI-KU, TOKYO, JAPAN

TEL: (03) 850 · 5431

FAX: (03) 850 · 5436

- 2 -

- c. Fixing the load cell: Mount the load cell on the intended surface of the mounting base. Press lightly with finger the circumference of the elastic body. Maintain the pressure until the load cell does not move on the intended surface. Refrain from applying pressure to the pressure receiving surface of the load cell as such may sometimes cause a breakage on the load cell.
- 2) Mounting by means of a housing.
- a. Surface treatment of the mounting surface: Polish the surface with Emery paper (#360).
  - b. Recommended dimensions of the housing:



Models	A	B	C
MR	18	25.5	35
MRS	12.8	20.5	30

## NOTES

- 1) Do not pull or bend excessively the connecting cable as such may cause a disconnection of conductors inside the cable.
- 2) Do not drop a solid body on the load cell nor apply an impulsive load to the load cell.
- 3) In case when a load exceeding the rated capacity was applied to the load cell, effect a recalibration to it in order to confirm that the load cell still operates properly and normally.
- 4) Avoid disassembling the load cell unless authorized by us.

## WARRANTY

Our warranty period shall be one year from the date of shipment. All units can be repaired free of charge within this period against any failures provided however that such failures take place during its proper use. All repairs should otherwise be paid for by the user. Note that there is a possibility of the unit being unable to be repaired if the unit has already lost its restoring force due to excessive load or supply voltage applied thereto. Periodic inspection or calibration of the unit shall also be paid for.