



BUX Type LOAD CELL INSTRUCTION MANUAL

NO. 29

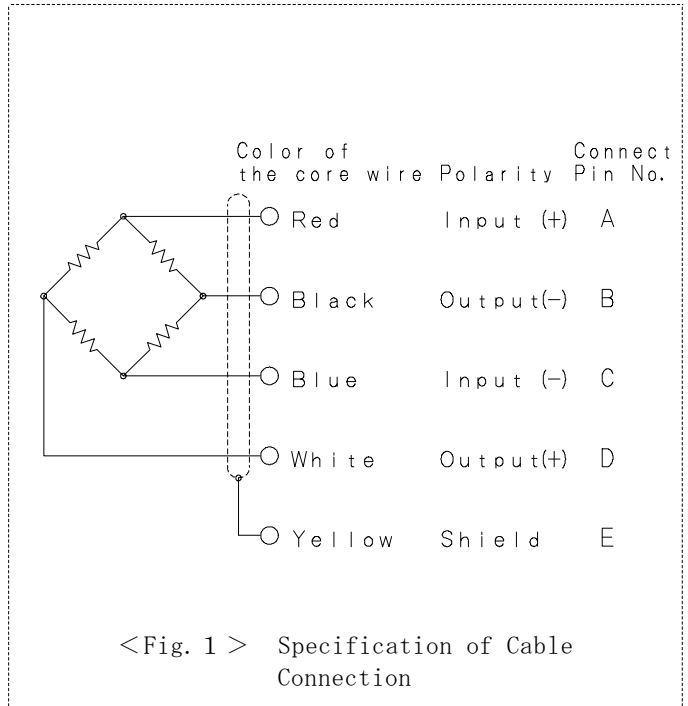
● Cable connection methods.

Connection methods are shown in the <Fig1>
If you have misconnecting, there might be troubles with zero balance and errors on output voltage under load condition.

● Maximum Admissible Excitation Voltage

Maximum Admissible Excitation Voltage (AC/DC)	3 0 V
Nominal Range of Excitation Voltage (AC/DC)	2 0 V

< Table 1 >

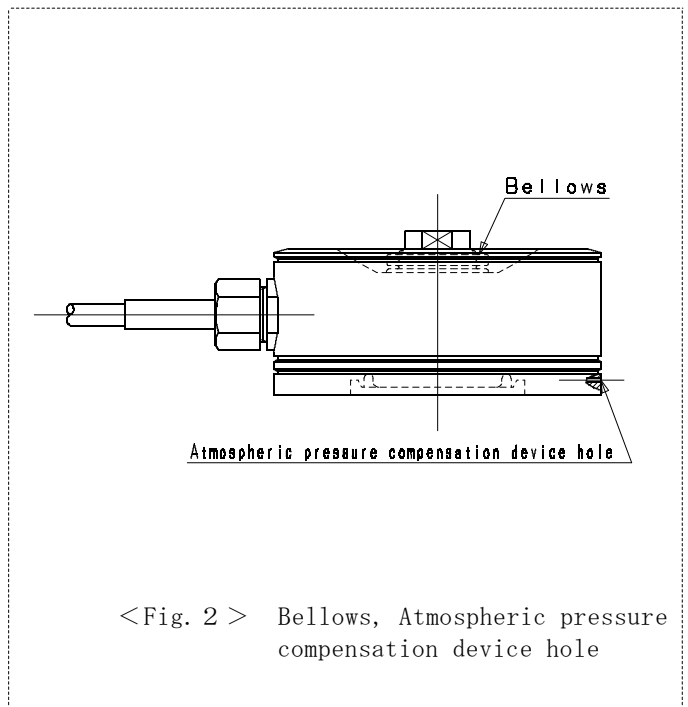


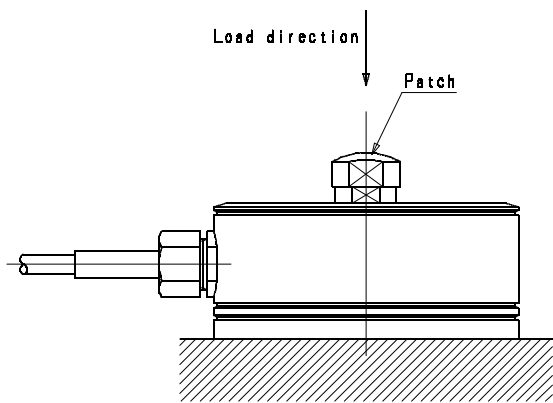
● Installation and Handling Cautions

- ① Model BUX must be installed in such a manner that its axis of direction coincides with the amount of force to be applied.
- ② On Installation of Model BUX, care should be exercised to prevent any bending moment from being loaded on it.
- ③ An atmospheric pressure compensation device is self-contained in Model BUX. Therefore, on installation of Model BUX be careful not to produce flaws or hurts on the bellows with <Fig.2> nor to block up the hole of the atmospheric pressure compensation device. If the bellows are hurt or the hole of the atmospheric pressure compensation device is blocked up, the system does not operate correctly making an error in the measurement.

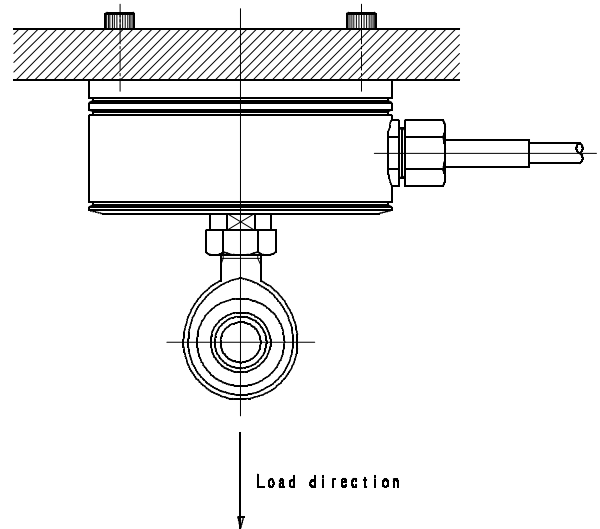
● Installation method

Refer to <Fig.3> if Model BUX is used for measurement of compressive force only, while <Fig.4>, <Fig.5> should be referred to if Model BUX is used for measurement of tensile force.





<Fig. 3 > Compression load measurement



<Fig. 4 > Tension load measurement

●Use Environment and Caution

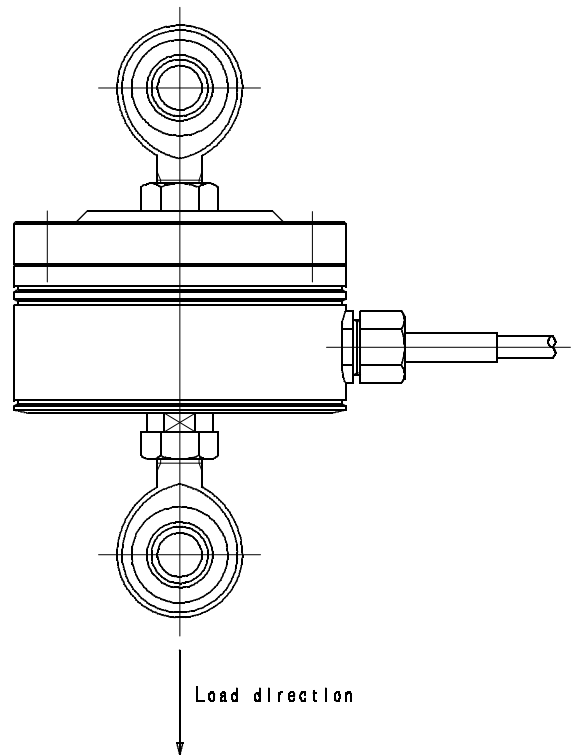
1. This unit is not waterproof.
Please avoid from water and moisture.
2. Please do not stretch or bend the cable.
It might be broken.
If the cable is not stable, please fix the cable.
3. Compensated temperature range is
-10 ~ 50 °C

●Maintenance

We suggest you to have a yearly maintenance and calibration (both with the extra charge) to maintain the quality of this product.

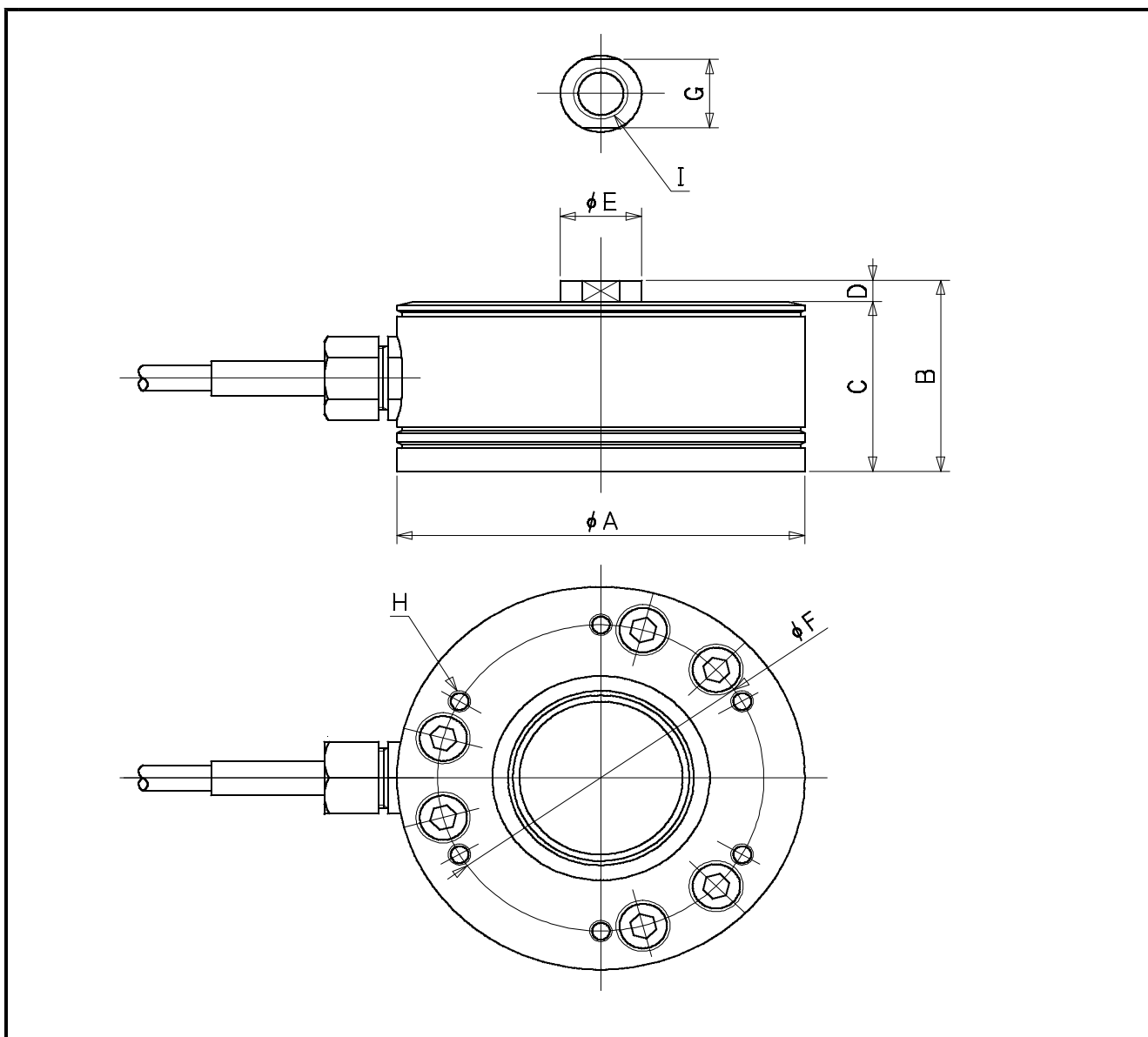
●Warranty

This product has a warranty of one year after purchase. When there is any troubles or machine break down, we will repair the machine without any additional charges. But for your misuse or disassembly, then we are not responsible for the guarantee. Please understand the situation that sometimes the machine is beyond repair due to the unlimited overload and voltage.



<Fig. 5 > Tension load measurement

●Dimensional Drawing



●Dimensional Chart (Unit:mm)

Model	Rated Capacity	A	B	C	D	E	F	G	H	I
BUX-100N	100N	92	45	40	5	18	72	16	M5 Depth15	M12×1.5 Depth 15
BUX-200N	200N	92	45	40	5	18	72	16	M5 Depth15	M12×1.5 Depth 15
BUX-500N	500N	92	45	40	5	18	72	16	M5 Depth15	M12×1.5 Depth 15
BUX- 1kN	1kN	92	45	40	5	18	72	16	M5 Depth15	M12×1.5 Depth 15
BUX- 2kN	2kN	92	45	40	5	18	72	16	M5 Depth15	M12×1.5 Depth 15
BUX- 5kN	5kN	92	45	40	5	18	72	16	M5 Depth15	M12×1.5 Depth 15

SPECIFICATIONS

TYPE	BUX
Rated Capacity	1 0 0 N~5 k N
Safe Overload Rating	1 5 0 %
Ultimate Overload Rating	2 0 0 %
Rated Output	2. 0 mV/V \pm 0. 1 %
Linearity	0. 0 1 2 % R. O.
Hysteresis	0. 0 1 2 % R. O.
Repetability	0. 0 1 % R. O.
Admissible Excitation Voltage	3 0 V, Nominal Range 2 0 V
Input Resistance	1 0 5 0 Ω
Output Resistance	1 0 5 0 Ω
Compensated Temperature Range	- 1 0 ~ 5 0 $^{\circ}$ C
Safe Temperature Range	- 3 0 ~ 8 0 $^{\circ}$ C
Temperature Effect on Zero Balance	0. 0 0 1 5 % R. O. / $^{\circ}$ C
Temperature Effect on Output	0. 0 0 1 5 % / $^{\circ}$ C
Cable, Dia. & Length	ϕ 6 mm Four Conductor Shielded Cable 5 m
Remarks	

SHOWA MEASURING INSTRUMENTS CO., LTD.

Head Office 1-17-16, Nishi Hokima, Adachi-ku, Tokyo, 121-0812 JAPAN